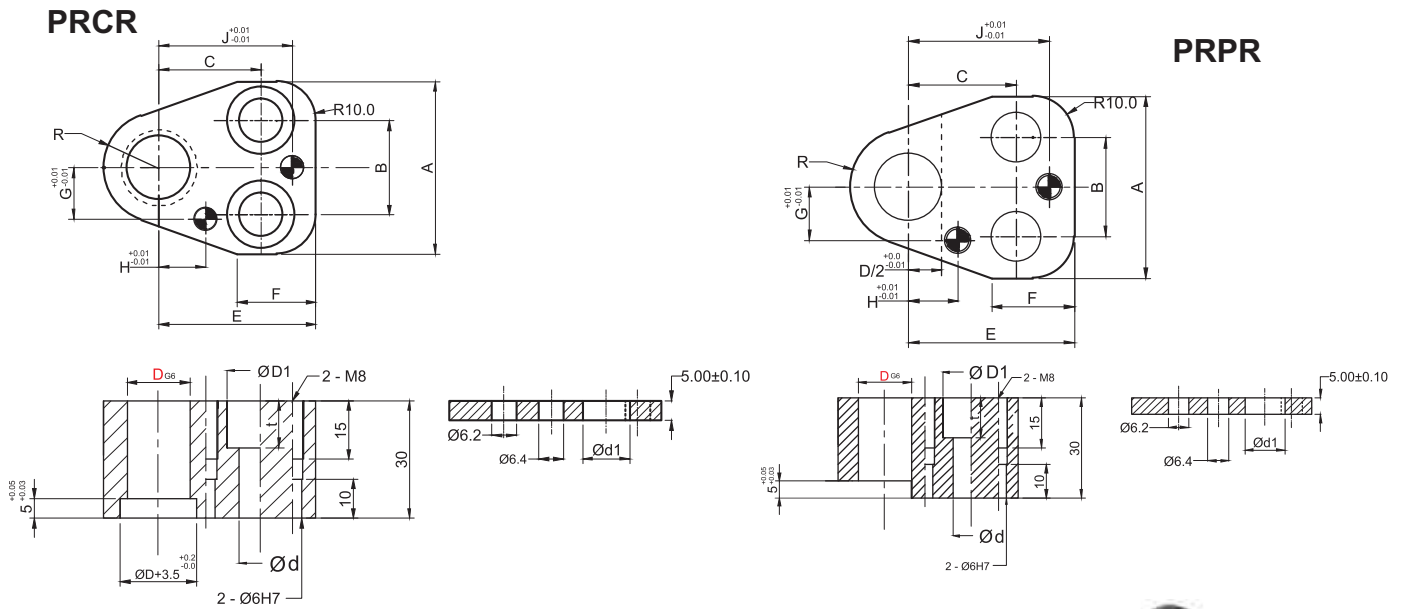


# Punch Retainer (PRCR / PRPR)



**Material:-** 1)Punch Retainer-En-8, 2)Back Up Plate-WPS  
**Hardness:-** 1)Punch Retainer- NA, 2)Back Up Plate- 56-60HRC

Type	D	Dg6	A	B	C	E	F	G	H	J	R	D1	d	t	d1
PRCR PRPR	10	(+0.014) (+0.005)	37	20	21	35	20	10	9	29	9.5	14	9	10	10
	13	(±0.017) (±0.006)	43	26	23	38		13	11	32	12				
	16		44	24	26	40						12	34	14	
	20		48	28	27	42									16
	25	(+0.020) (+0.007)	50	30	30	46		18	17	39	19.5				

**Order Type :-** Code x D  
**Example :-** PRCR X 20